



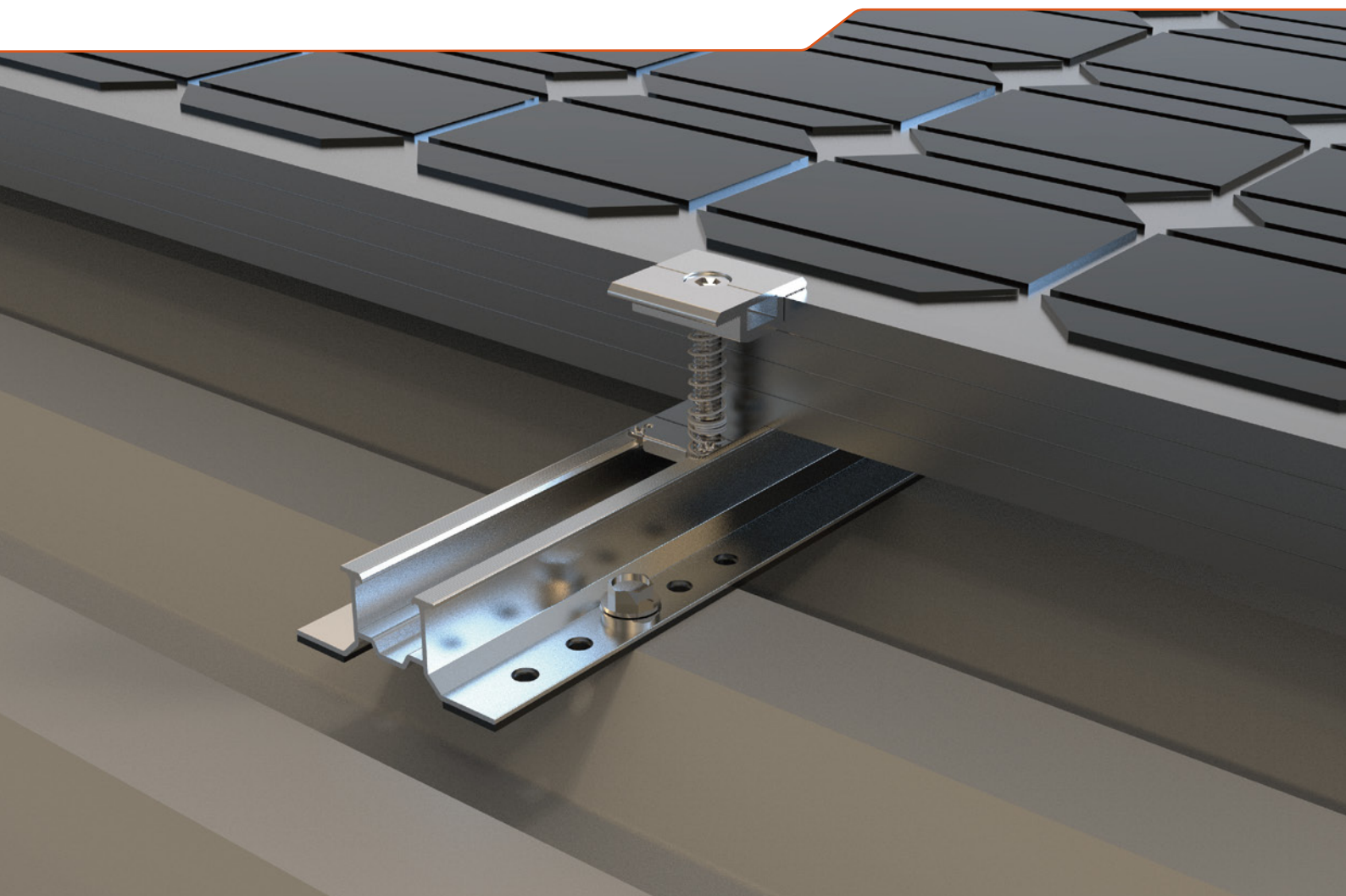
DATA SHEET

Mini rail system
for trapezoidal sheet metal roofing.



10YEARS
WARRANTY

Data sheet



Code: ERK-TRB-D10

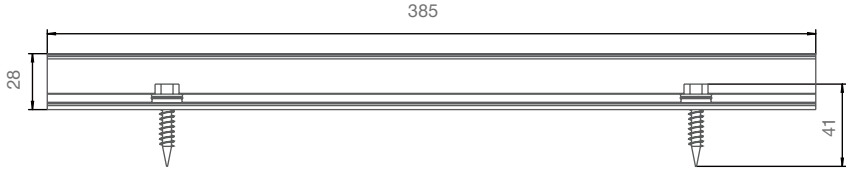
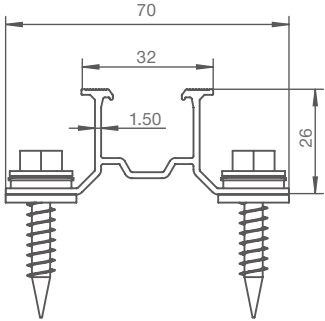
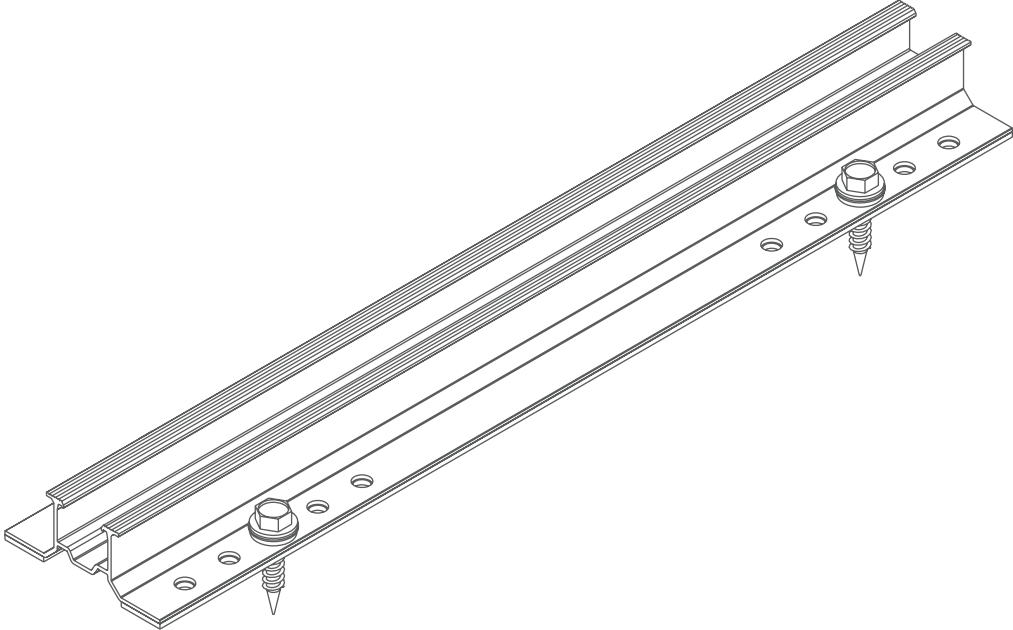
Mini rail system for PV mounting on trapezoidal sheet metal roofing
Please note: factory default L=385mm, can be customized up to 4.5m.



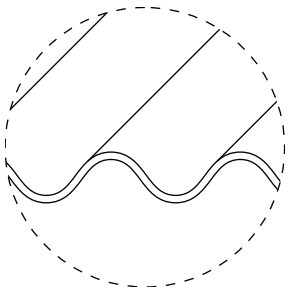
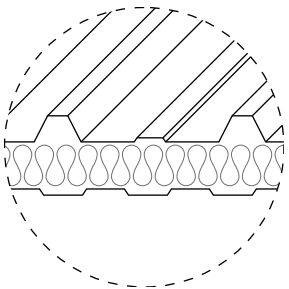
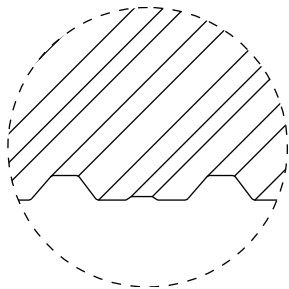
Material

	quantity	Specification	Material	Hardness
Mini rail	1	L=385mm	aluminum 6005 T5	HW 12-16
self-drilling screw	4	6.3x 25mm	SUS 410	

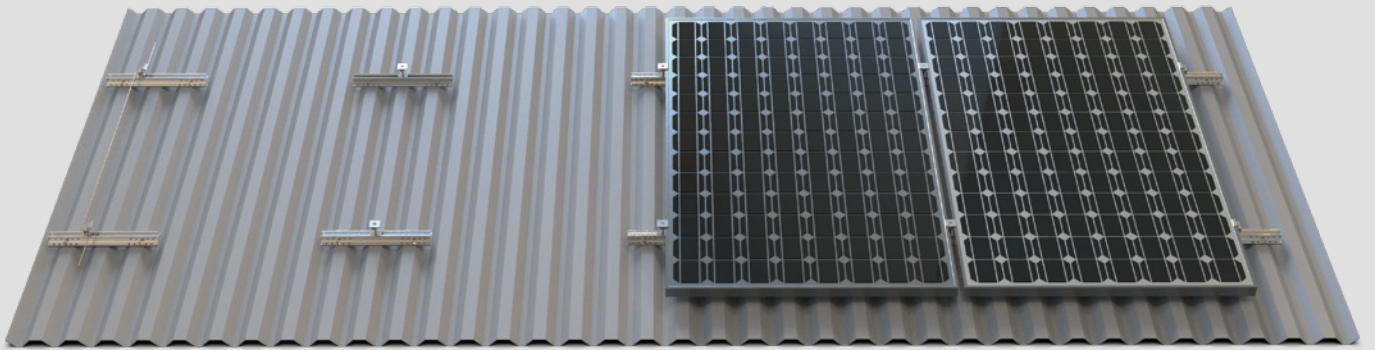
Specification



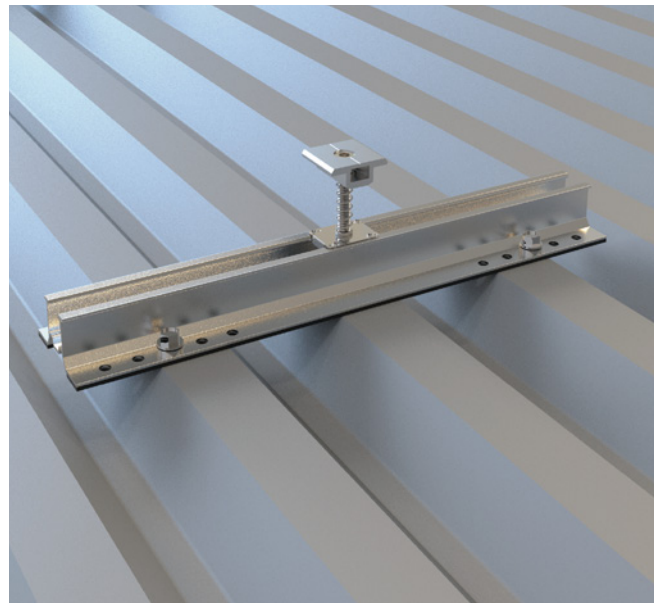
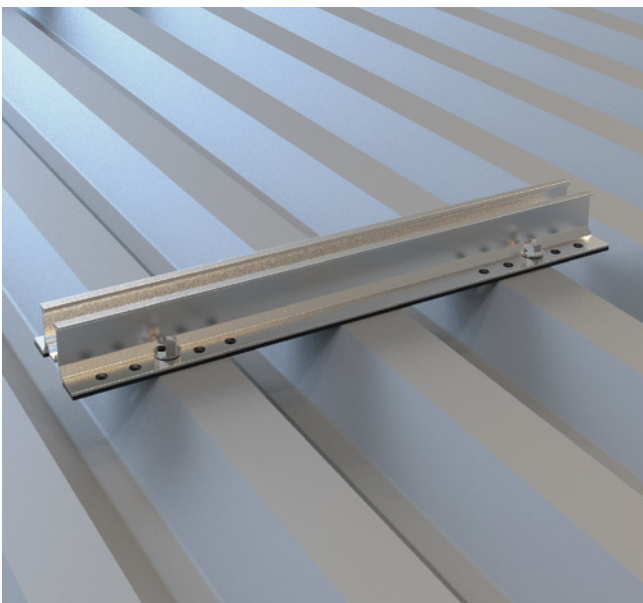
Works with following roof profiles



Application

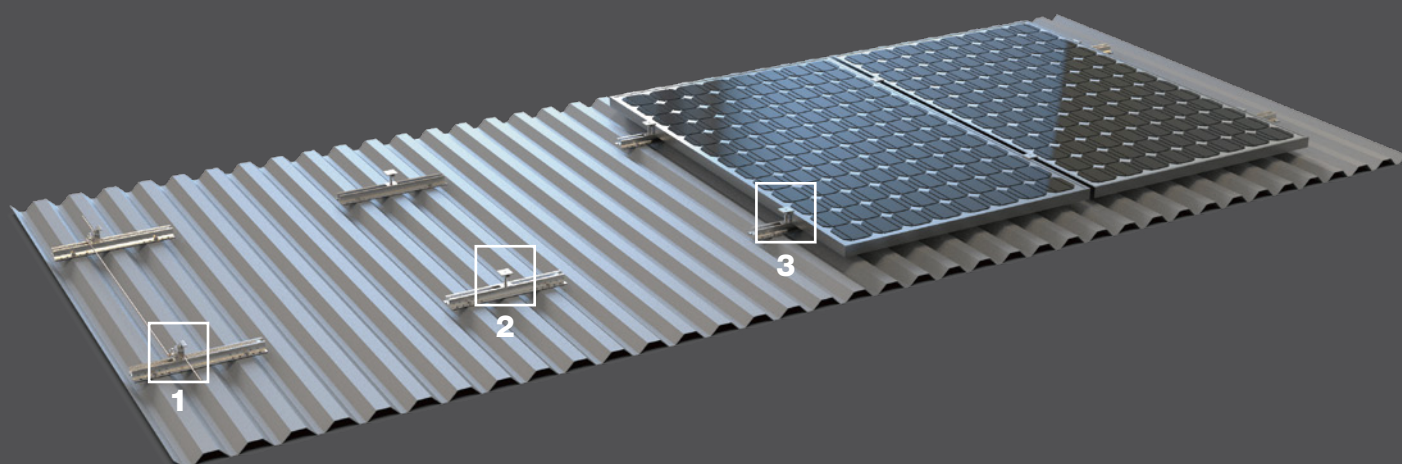
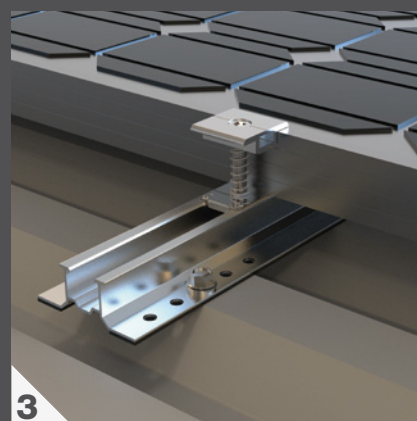
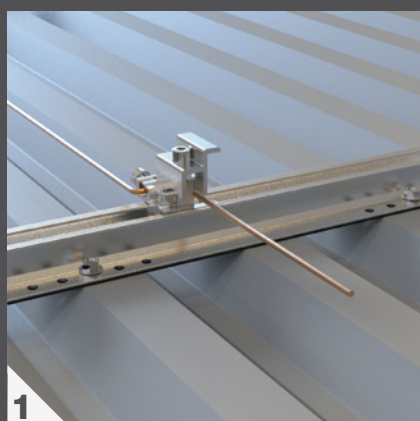


A mini rail system has been optimized by fewest component count for great time and cost efficiency. Installed quicker with a friendlier logistics and handling profile.



Application

Installed with Enerack mini rail system





Xiamen Enerack Technology Co., Ltd.

Tel: +86 - 592-5669285

Fax: +86 - 592-5669235

Mail: info@enerack.com

Web: www.enerack.com

Add: 203A, Norinco Business Plaza, NO.6

Huli Avenue, Huli District, Xiamen, China